



Engine	Cummins 6BTAA5.9
Rated Power	118 kW (158 hp / 160 ps) @ 2,200 rpm
Nominal Amplitude Range	2.0 / 1.2 mm
Vibration Frequency Range	30 / 33 Hz
Centrifugal Force Range	300 / 220 kN
Working Width	2,130 mm
Operating Mass	14,000 kg

6614E ROLLER

6614E SPECIFICATIONS >>>

ENGINE	
Emission Regulation	Tier 2 / Stage II
Manufacturer	Cummins
Model	6BTAA5.9
Rated Power	118 kW (158 hp/160 ps) @ 2,200 rpm
Peak Torque	670 N · m
Number of Cylinders	6
Aspiration	Turbo & air-to-air intercooled
Cooling Type	Water

ELECTRICAL SYSTEM	
System Voltage	24 V

DRIVE TRAIN	
Theoretical Gradeability	50 %
Transmission Type	Hydraulic
1st Maximum Speed	4.5 km/h
2nd Maximum Speed	6.1 km/h
3rd Maximum Speed	6.7 km/h
4th Maximum Speed	12 km/h
Min. Outside Turning Radius	6,500 mm

STEERING	
Steering System	Hydraulic
Steering Method	Articulation
Steering Angle	± 35°
Steering Relief Pressure	16 MPa

BRAKES	
Service Brake Type	Hydraulic
Service Brake Actuation	Hydraulic
Parking Brake Actuation	Mechanical apply; Hydraulic release

OPTIONAL EQUIPMENT	
Padfoot Drum Segment Kit (PDH)	

TIRES	
Tire Size	23.1-26-12PR
Tire Pressure	200-220 kPa

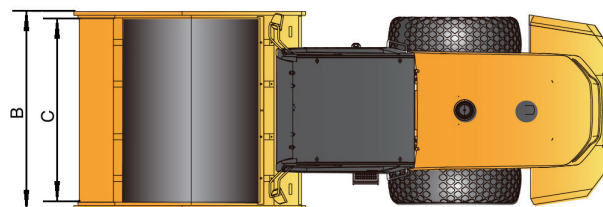
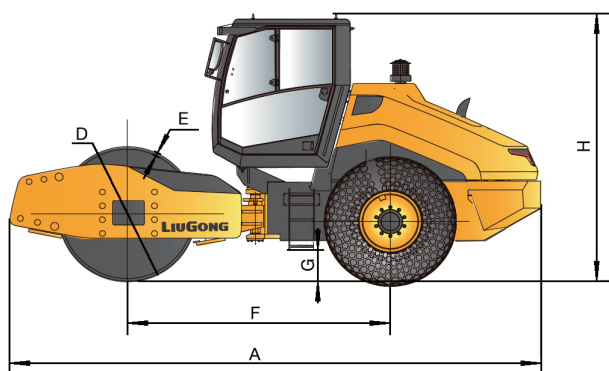
HYDRAULIC SYSTEM	
Main Pump Type	Piston Pump
Main Relief Pressure	35 MPa

PERFORMANCE	
Static Linear Front Drum Load	376 N/cm
Number of Vibrating Drums	1
Nominal Amplitude Range	2.0 / 1.2 mm
Vibration Frequency Range	30 / 33 Hz
Centrifugal Force Range	300 / 220 kN
Number of Amplitude Settings	2

OPERATING MASS	
Operating Mass with Ballast	14,000 kg
Mass on Vibrating Drum	8,000 kg
Mass on Drive Axle	6,000 kg

SERVICE CAPACITIES	
Fuel Tank	200 L
Engine Oil	17L
Hydraulic Oil Tank	110 L
Cooling System	28 L

DIMENSIONS	
A Overall Length	6,000 mm
B Overall Width	2,280 mm
C Drum Width	2,130 mm
D Drum Diameter	1,555 mm
E Drum Thickness	30 mm
F Wheelbase	2,980 mm
G Min. Ground Clearance	470 mm
H Overall Height	3,080 mm



Guangxi Liugong Machinery Co., Ltd.

No. 1 Liutai Road, Liuzhou, Guangxi 545007, PR China
T: +86 772 3886124 E: overseas@liugong.com
www.liugong.com

Specifications and designs are subject to change without notice. Machines shown may include optional equipment. Liugong standard and optional equipment may vary from region to region. Please consult your Liugong dealer for information specific to your area. Engine power kW is converted to horsepower (1 kW=1.3596 ps and 1 kW=1.3410 hp) in this file.

03/2021 Designed by Liugong
Replace the previous versions of 08/2019